



LABMICRO

8553545575 / 8050259428 

contact@labmicro.in 

www.labmicro.in 

BIOLOGICAL MICROSCOPE



SLV-22

 Shop No.1, Basement floor, Best Apartments, Dr. Arunachalam Road, 5th Stage BEML Layout,
Rajarajeshwari Nagar, Bengaluru - 560 098



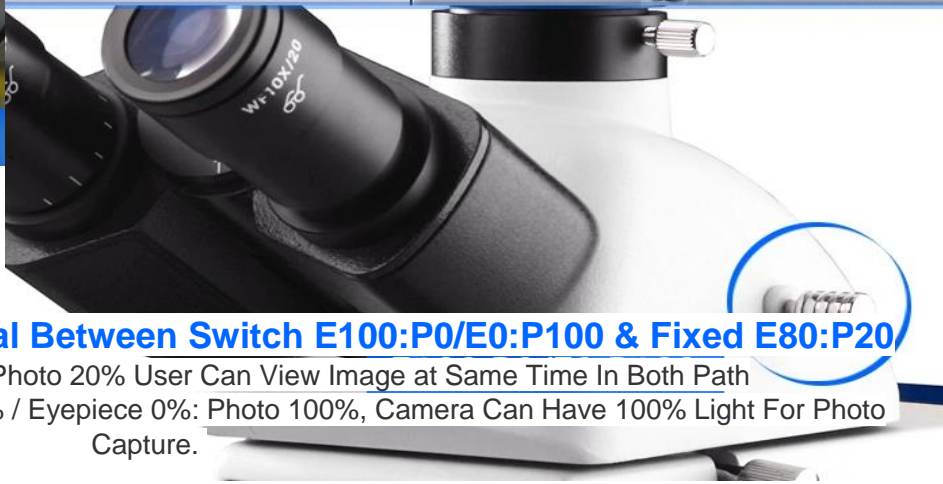
Super Wide Field SWF10x/22mm
 Eyepiece Dia.30mm Diopter Adjustable



Large Size Head With Eyepiece Tube And Eyepiece Dia.30mm

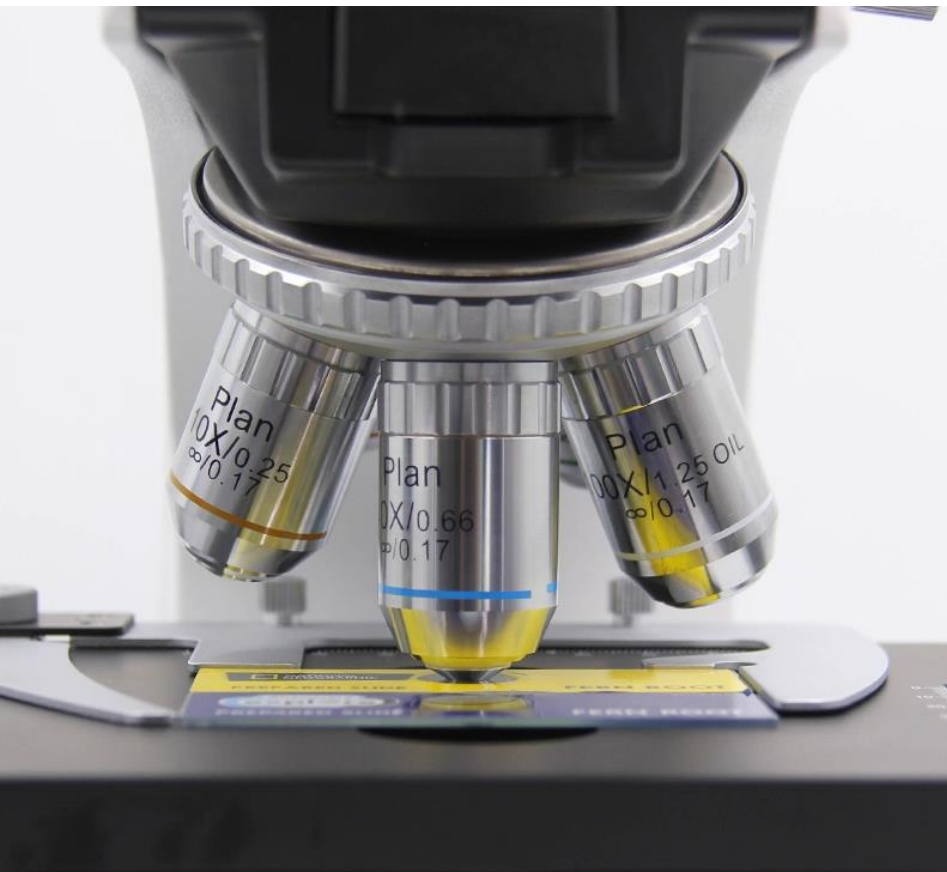


Fixed E80:P20 (Optional)



Trinocular Head Light Split Optional Between Switch E100:P0/E0:P100 & Fixed E80:P20

In Fixed Light Split, Eyepiece 80%: Photo 20% User Can View Image at Same Time In Both Path
 In Switch Light Split, Eyepiece 100%: Photo 0% / Eyepiece 0%: Photo 100%, Camera Can Have 100% Light For Photo Capture.



**Large Size High Precision
Quintuple Nosepiece, With
Polarizing Analyzer Slot,**

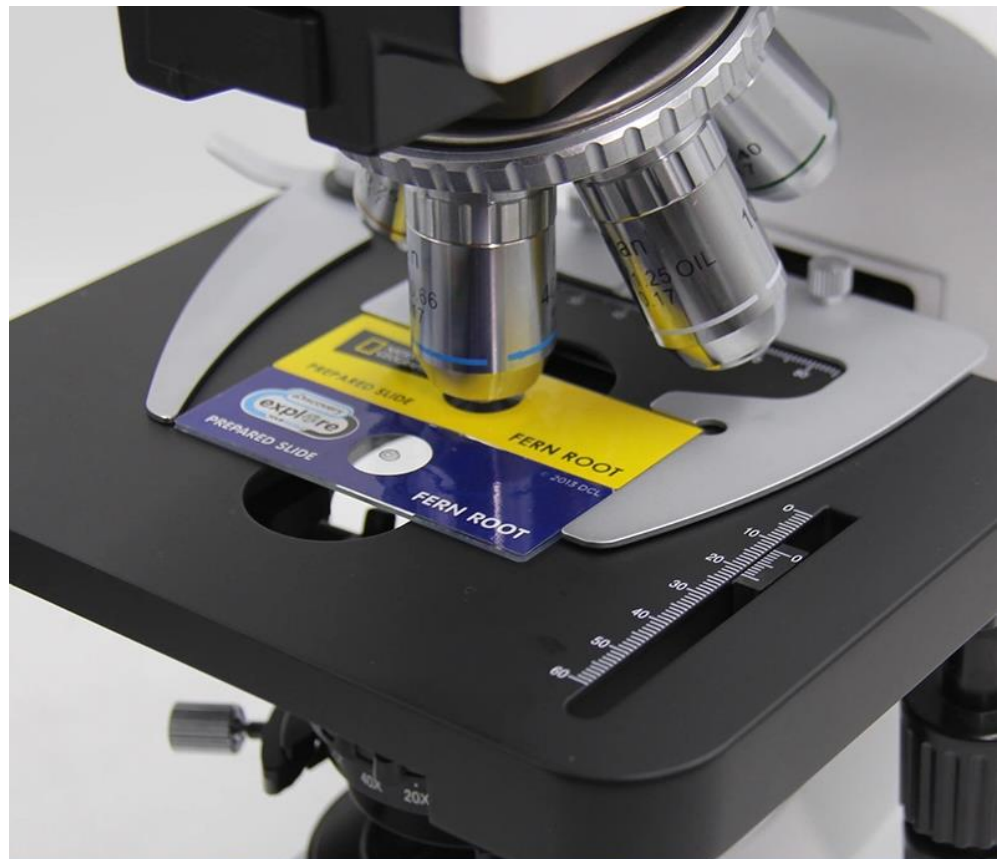
Infinity Plan Objective 4x,10x,20x,40x,100x
Available

Creative 100X Water Objective (Optional)
Instead Of 100X Oil Objective, More
Convenient for Using & Cleaning After Use

Infinity Plan Objective 4x,10x,20x,40x,100x Available

**Rack less (Integrated)
Mechanical Stage**

Large Size 182x140mm, Double Slide
Holder
Travel Range 77x52mm



Rackless (Integrated) Mechanical Stage,
Large Size 182 × 140mm, Double Slide Holder



Swing-out Condenser, N.A.0.9/0.13, Iris Diaphragm
 Control The Amount Of Light According To Demand, The Effect Is More Perfect.

Swing-out Condenser, N.A.0.9/0.13, Iris Diaphragm

Product Accessories



Infinity Plan Semi-APO Fluorescent Objective



Mechanical Stage Size
 175 mm × 145mm



WF10X/20mm
 (High Eyepoint)



Dark Field
 Condenser, Dry



Dark Field
 Condenser, Immersion

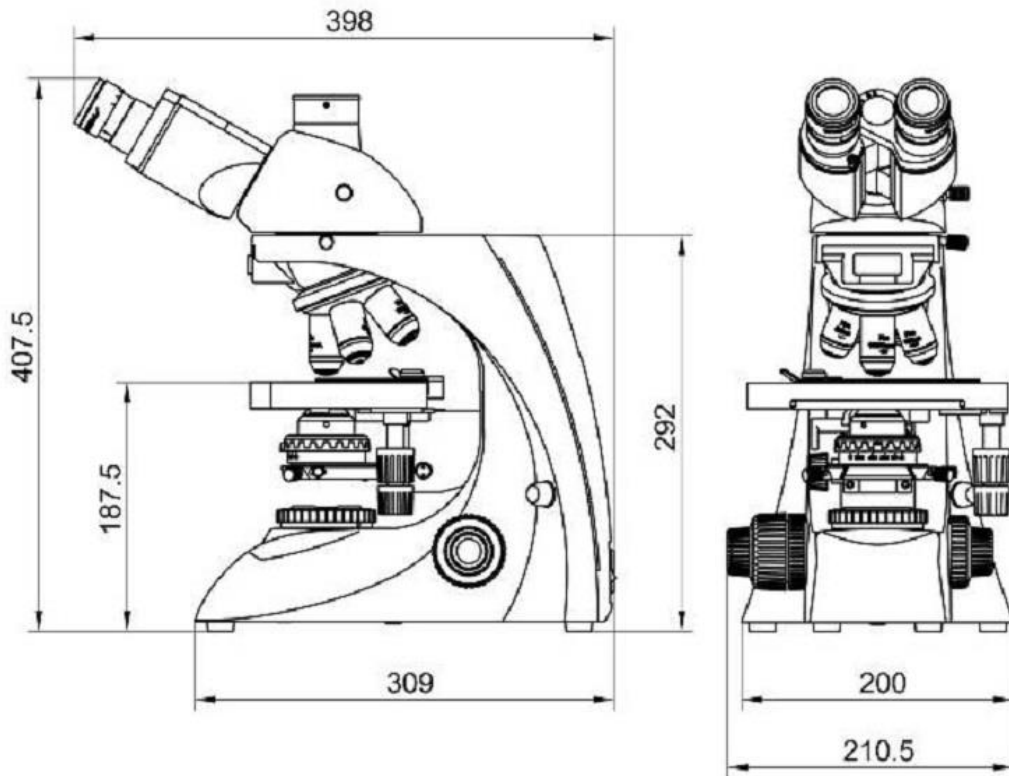


ECO, Auto
 Power Off System

SLV-22 Series Biological Microscope Outfits

Items	Specification	Outfits	
Eyepiece	WF10×/22mm (adjustable)	••	
Infinity Plan Objectives	PLAN 4×/0.10	W.D.=12.10mm	•
	PLAN 10×/0.25	W.D.=4.64mm	•
	PLAN 20×/0.40(S)	W.D.=2.41mm	•
	PLAN 40×/0.66(S)	W.D.=0.65mm	•
	PLAN 100×/1.25(S, Oil)	W.D.=0.12mm	•
	PLAN 2.5×/0.07	W.D.=8.47mm	○
	PLAN 60×/0.80(S)	W.D.=0.33mm	○
	PLAN 100×/1.15(S, W)	W.D.=0.19mm	○
Infinity Plan Semi Apochromatic Objective	UPlanFLN 10X/0.30	W.D.=7.68mm	○
	UPlanFLN 20X/0.50	W.D.=1.96mm	○
	UPlanFLN 40X/0.75	W.D.=0.78mm	○
	UPlanFLN 100X /1.30 (Oil)	W.D.=0.15mm	○
Seidentopf Binocular Head	Inclined 30°, rotatable 360°, Interpupillary distance:48mm-76mm	•	
Seidentopf Trinocular Head	Inclined 30°, rotatable 360°, Interpupillary distance:48mm-76mm, Light distribution (both): 100: 0 (100% for eyepiece) 80:20 (80% for trinocular head and 20% for eyepiece)	○	
Nosepiece	Quintuple	•	
Mechanical Stage	Integrated stage Stage size: 182 mm×140mm, Travel range: 77mm×52mm Two-slide holder	•	
Swing Out Condenser	N.A. 0.9/0.13, Swing out with iris diaphragm.	•	
Koehler Illumination	12V/30W Halogen Lamp Wide voltage input: 100V~240V Field diaphragm, centre adjustable	•	
LED Illumination	5W LED Wide voltage input: 100V~240V Field diaphragm, centre adjustable	○	
Filter	Blue	•	

	Green /Amber /Grey	<input type="radio"/>
C-mount	1×/0.35×/0.5×/0.75× C-mount (focus adjustable)	<input type="radio"/>
Fluorescence Attachment	Epi fluorescence unit (Six-hole disc media which can be fixed with UV /V/B/G and another filters) ,100W mercury lamp.	<input type="radio"/>
	Epi fluorescence unit (six-hole disc media which can be fixed UV/V/B/G), LED fluorescence lamp.	<input type="radio"/>
Phase Contrast Unit	Quintuple hole turret 10× /20× /40× /100× phase contrast objective	<input type="radio"/>
	Independent slot 10× /20× /40× /100× phase contrast objective	<input type="radio"/>
Dark Field Unit	Dark field condenser (dry), apply to 4×- 40× objective	<input type="radio"/>
	Dark field condenser (wet), apply to 100× objective	<input type="radio"/>
Polarizing Attachment	Analyzer / Polarizer	<input type="radio"/>





Infinity Plan Objective



Digital Eyepiece Camera Adapter



-BK Analyzer + Polarizer Set



C-Mount 1.0x, Focus Adjustable



C-Mount 0.75x, Focus Adjustable



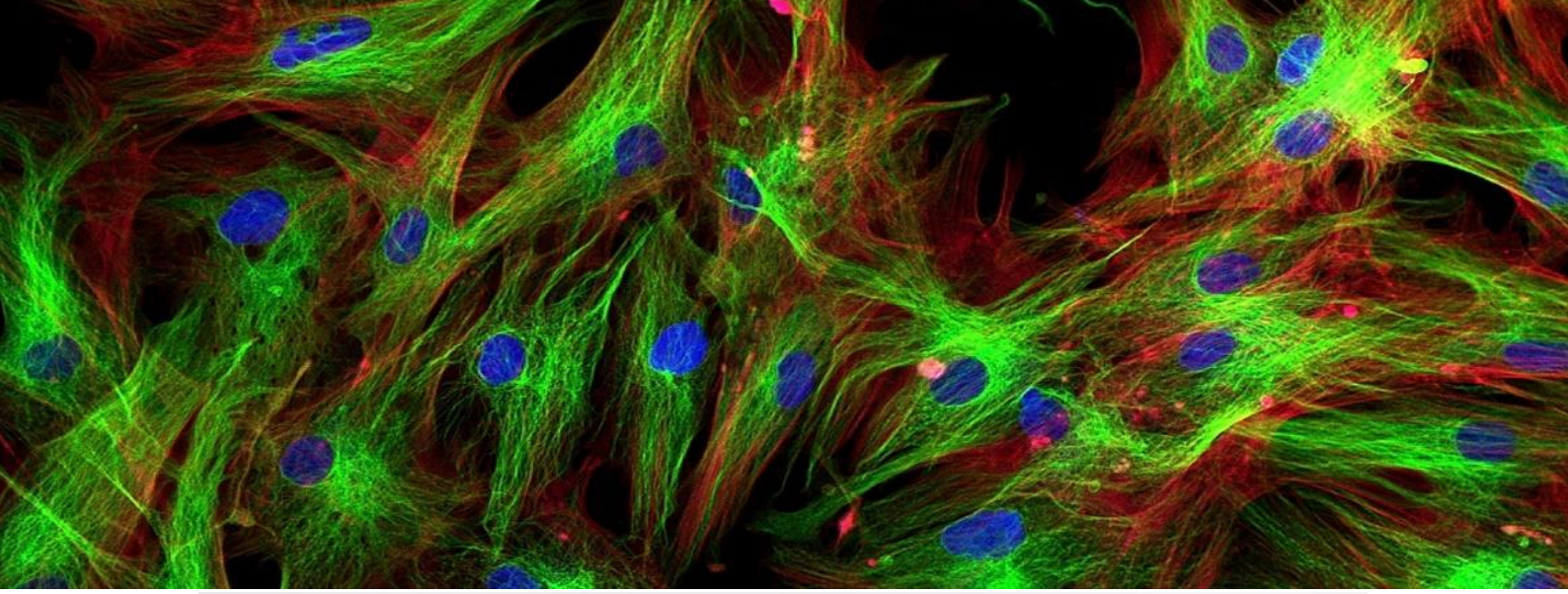
Simple Phase Contrast Attachment



C-Mount 0.5x, Focus Adjustable



Turret Phase Contrast Attachment



UPGRADEABLE TO FLUORESCENCE MICROSCOPE – SLV22FL



 Shop No.1, Basement floor, Best Apartments, Dr. Arunachalam Road, 5th Stage BEML Layout, Rajarajeshwari Nagar, Bengaluru - 560 098